

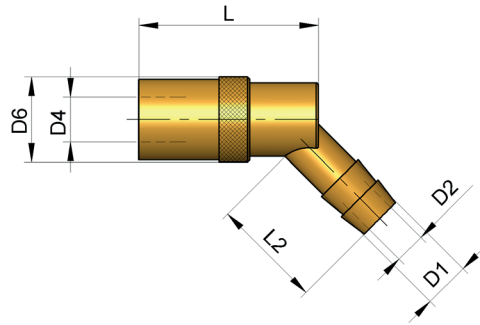
Schnellkupplung, US-Standard, 45°,
mit/ohne Ventil

Quick-release Coupling, US-Standard, 45°,
with/without Valve

S3410/ . . .

Mat.: 2.0401 (Messing)

Mat.: 2.0401 (Brass)



L	L2	D6	D4	D1	D2	Best. Nr. / Order No. ↙ ↘	Best. Nr. / Order No. ↔
40	22	18	9,5	9	6	S3410/ 9x 6	S3410/ 9x 6 OV
56	25	24	13,5	13	9	S3410/ 13x 9	S3410/ 13x 9 OV
77	30	32	20	19	16	S3410/ 19x16	S3410/ 19x16 OV