

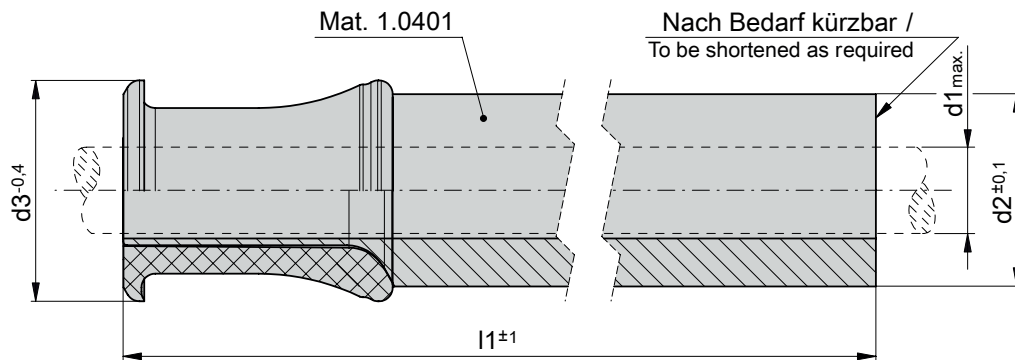
**Umlenkrohr**

**Diverting Tube**

**S3560/ . . .**

T<sub>max.</sub> : 150 °C (Öl und Wasser)  
 Druck: max. 10 bar

T<sub>max.</sub> : 150 °C (oil and water)  
 Pressure: max. 10 bar



d2	d3	l1	d1 <sub>max.</sub>	Best. Nr. / Order No.
9	10	102	4	S3560/ 4
15	16	100	6,5	S3560/ 6,5
22	23	150	12	S3560/ 12