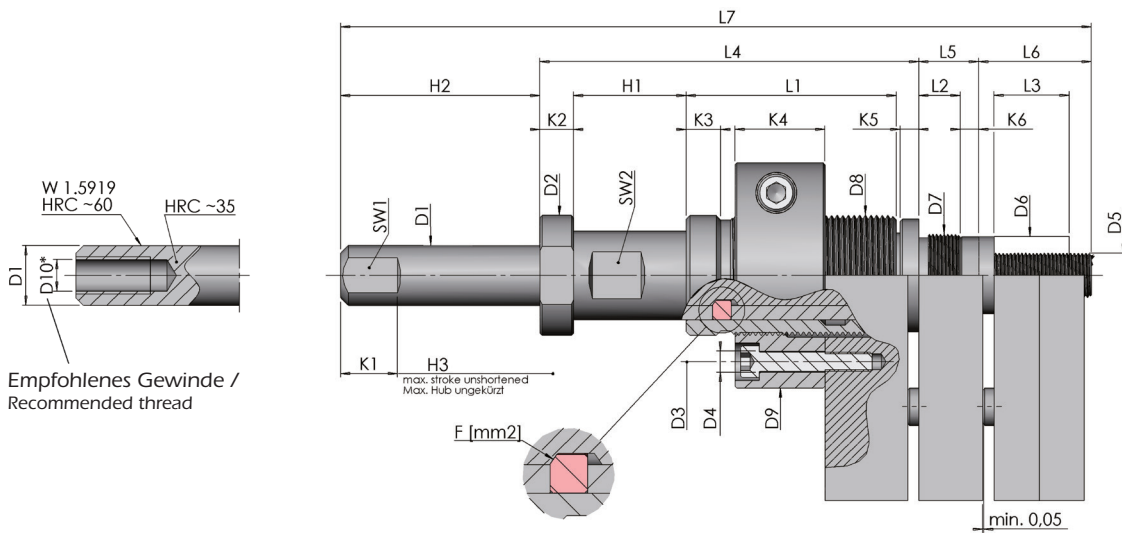


**S6250/ . . .**


D8	D1	D5	D7	D9	D3	D4	D2	D6	D10	L0*	L7	L6	L4	Best. Nr. / Order No.
<b>M32x1,5</b>	16	M12x1	M22x1	60	46	5,6	32	20,6	M10	150	200	30	101	<b>S6250/ 32</b>
<b>M42x1,5</b>	22	M16x1,5	M30x1,5	80	62	6,6	42	28	M14	200	266	40	132	<b>S6250/ 42</b>
<b>M52x1,5</b>	28	M20x1,5	M38x1,5	90	72	9	53	36	M16	350	285	45	134	<b>S6250/ 52</b>
<b>M62x1,5</b>	37	M24x1,5	M48x1,5	102	80	9	63	44	M20	500	300	50	140	<b>S6250/ 62</b>

\* = Auswerferplattenlänge      \* = Length of ejector plate

L2	L1	L3	L5	H1	H2	H3	K1	K6	K2	K5	K3	K4	SW1	SW2	F mm <sup>2</sup>	Best. Nr. / Order No.
11	56	20	16	5-30	50	80	16	5	9	5	8	24	13	20	56	<b>S6250/ 32</b>
16	75	30	22	10-40	70	110	20	6	9	6	10	30	17	27	100	<b>S6250/ 42</b>
16	75	35	22	10-40	80	120	22	6	10,5	8	12	25	22	35	152	<b>S6250/ 52</b>
16	80	40	22	10-40	80	120	22	6	10,5	8	12	30	30	44	215	<b>S6250/ 62</b>