

Zylinderflanschplatte

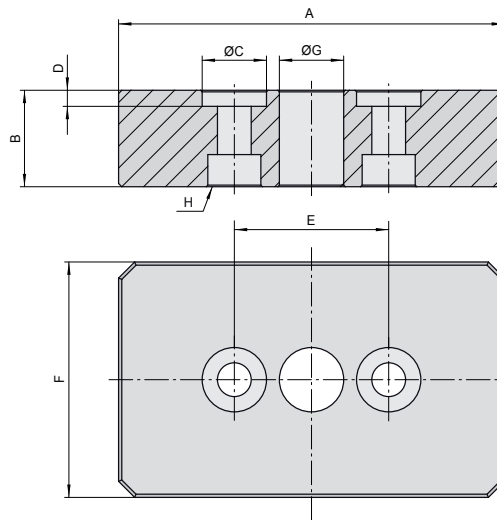
ERMANN BALZI

Hydraulic Cylinder Flange

S6445/ . . .

Mat./Härte: 1.1191 / 750 N/mm²

Mat./Hardness: 1.1191 / 750 N/mm²



| C | D | E | G | H | A | F | B | Best. Nr. / Order No. |
|----|---|----|----|-----|-----|----|----|-----------------------|
| 20 | 5 | 48 | 20 | M10 | 120 | 80 | 30 | S6445/ 120x80x30 |
| 30 | 6 | 64 | 20 | M12 | 150 | 90 | 40 | S6445/ 150x90x40 |